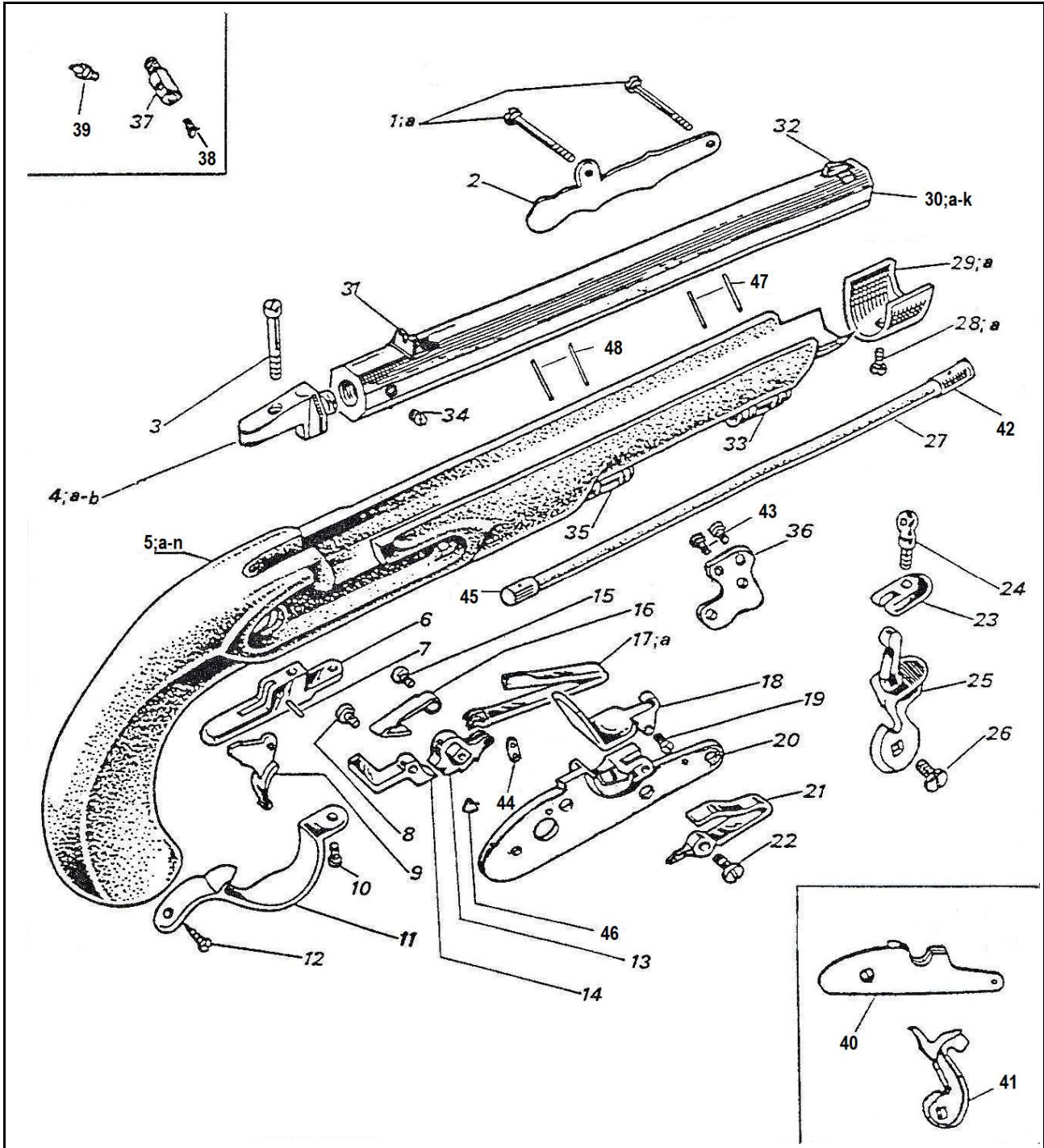


Pistola Kentucky



Nomenclatura / List / Liste				Codice Reference Référence
No.	Italiano	English	Français	
1	Vite fregio	Side plate screw	Vis de contre-platine	M70TFM5535
1a	Vite fregio cal. .50	Side plate screw .50 cal.	Vis de contre-platine Cal 50	M70TFM5537
2	Fregio	Side plate	Contre-platine	080002903
3	Vite canna-sottoguardia	Tang screw	Vis de queue de culasse	M70TFM5545
4	Tappo canna cal. .45	Breech plug .45 cal.	Bouchon de culasse Cal 45	0800004865
4a	Tappo canna cal. .50	Breech plug .50 cal.	Bouchon de culasse Cal 50	0800004942
4b	Tappo canna cal. .54	Breech plug .54 cal.	Bouchon de culasse Cal 54	0800004986
5	Calcio noce cal.45	Walnut stock cal.45	Monture en noyer cal.45	0800003405
5a	Calcio noce modello Mountain	Walnut stock for Mountain model	Monture noyer pour modèle Mountain	0800003405
5b	Calcio noce cal.50/54	Walnut stock cal.50/54	Monture en noyer cal.50/54	0800003542
5c	Calcio acero cal.45	Maple stock cal.45	Monture en érable cal.45	0800003509
5d	Calcio acero cal.50/54	Maple stock cal.50/54	Monture en érable cal.50/54	0800003560
5e	Calcio noce finito cal.45	Walnut stock finished cal.45	Monture en noyer ouvragé cal.45	080003405A
5f	Calcio noce modello Mountain finito	Walnut stock finished for Mountain mod.	Monture noyer ouvragé pour Mountain	080003405A
5g	Calcio noce finito cal.50/54	Walnut stock finished cal.50/54	Monture en noyer ouvragé cal.50/54	080003542A
5h	Calcio acero finito cal.45	Maple stock finished cal.45	Monture en érable ouvragé cal.45	080003509A
5i	Calcio acero finito cal.50/54	Maple stock finished cal.50/54	Monture en érable ouvragé cal.50/54	080003560A
5j	Calcio noce completo cal.45	Walnut stock with spares cal.45	Monture en noyer complète cal.45	080003405B
5k	Calcio noce mod. Mountain completo	Walnut stock with spares for Mountain	Monture noyer complète pour Mountain	080003405B
5l	Calcio noce completo cal.50/54	Walnut stock with spares cal.50/54	Monture en noyer complète cal.50/54	080003542B
5m	Calcio acero completo cal.45	Maple stock with spares cal.45	Monture en érable complète cal.45	080003509B
5n	Calcio acero completo cal.50/54	Maple stock with spares cal.50/54	Monture en érable complète cal.50/54	080003560B
6	Sottoguardia	Trigger plate	Sous-garde	0800004602
7	Copiglia sottoguardia	Trigger plate pin	Goupille sous-garde	M70COP5521
8	Vite leva scatto	Sear screw	Vis de gâchette	M70TFM5510
9	Grilletto	Trigger	Détente	0800003005
10	Vite anteriore guardamano	Front trigger guard screw	Vis antérieure du pontet	M70TFC5205
11	Guardamano	Trigger guard	Pontet	0800003014
12	Vite posteriore guardamano	Rear trigger guard screw	Vis postérieure du pontet	M70LFC5388
13	Noce	Tumbler	Noix	0800003903
14	Leva scatto	Sear	Gâchette	0800003409
15	Vite molla leva scatto	Sear spring screw	Vis du ressort de gâchette	M7BTFC5214
16	Molla leva scatto	Sear spring	Ressort de gâchette	0800003610
17	Molla cane	Mainspring	Grand ressort	0800003753
17a	Molla cane per modello a percussione	Mainspring for percussion lock plate	Grand ressort pour platine à percussion	0800003608
18	Martellina	Frizzen	Batterie	0800002420
19	Vite martellina	Frizzen screw	Vis de batterie	M70SPC5449
20	Cartella	Lock plate	Platine	0800002417
21	Molla martellina	Frizzen spring	Ressort de batterie	0800003606
22	Vite molla martellina	Frizzen spring screw	Vis du ressort de batterie	M7BTFC5214
23	Premipietra	Top jaw	Mâchoire supérieure	0800004202
24	Vite premipietra	Top jaw screw	Vis des mâchoires	M70SPC5460
25	Cane	Hammer	Chien	0800002402
26	Vite cane	Hammer screw	Vis du chien	M70TFC5483
27	Bacchetta completa	Ramrod with tips	Baguette complète	0800002204
28	Vite fascetta cal. .50	Forend cap screw .50 cal.	Vis de bande Cal 50	M70PFM5640
28a	Vite fascetta	Forend cap screw	Vis de bande	M70TFC5822
29	Fascetta canna	Forend cap	Bande du canon	0800003003
29a	Fascetta canna cal. .50	Forend cap .50 cal.	Bande du canon Cal 50	0800002995
30	Canna cal. .45	Barrel .45 cal.	Canon Cal 45	0800002412
30a	Canna cal. .50	Barrel .50 cal.	Canon Cal 50	0800002572
30b	Canna cal. .54	Barrel .54 cal.	Canon Cal 54	0800002403
30c	Canna completa cal. .45 (a percuss.)	Barrel .45 cal. with percussion spares	Canon Cal 45 complet (percussion)	0800P2412B

Nomenclatura / List / Liste				Codice Reference Référence
No.	Italiano	English	Français	
30d	Canna completa cal. .45 (a p. focaia)	Barrel .45 cal. with flintlock spares	Canon Cal 45 complet (silex)	0800F2412B
30e	Canna completa cal. .50 (a percuss.)	Barrel .50 cal. with percussion spares	Canon Cal 50 complet (percussion)	0800P2572B
30f	Canna completa cal. .50 (a p. focaia)	Barrel .50 cal. with flintlock spares	Canon Cal 50 complet (silex)	0800F2572B
30g	Canna completa cal. .54 (a percuss.)	Barrel .54 cal. with percussion spares	Canon Cal 54 complet (percussion)	0800P2403B
30h	Canna completa cal. .54 (a p. focaia)	Barrel .54 cal. with flintlock spares	Canon Cal 54 complet (silex)	0800F2403B
30i	Canna ottone cal. .45	Brass barrel .45 cal.	Canon en laiton Cal 45	0800002607
30j	Canna ottone .45 completa (a percuss.)	Brass barrel .45 cal. with percuss. spares	Canon en laiton Cal 45 complet (perc.)	0800P2607B
30k	Canna ottone .45 completa (a p. focaia)	Brass barrel .45 cal. with flintlock spares	Canon en laiton Cal 45 complet (silex)	0800F2607B
31	Tacca di mira	Rear sight	Cran de mire	0800004802
32	Mirino	Sight	Guidon	0800003605
33	Ghiera anteriore	Front thimble	Busette antérieure	0800003001
34	Focone	Vent screw	Lumière	0800002911
35	Ghiera posteriore	Rear thimble	Busette postérieure	0800003002
36	Braghetta	Bridle	Bride	0800002207
37	Portaluminello	Drum	Porte-cheminée	0800004206
38	Vite portaluminello	Drum screw	Vis du porte-cheminée	M70TFC5261
39	Luminello	Nipple	Cheminée	0800003364
40	Cartella a percussione	Percussion lock plate	Platine à percussion	0800002418
41	Cane	Hammer	Chien	0800004055
41a	Cane* (vecchio)	Hammer* (old)	Chien* (vieux)	-
42	Puntale anteriore bacchetta	Front ramrod tip	Refouloir	0800004209
43	Vite braghetta	Bridle screw	Vis de bride	M70TFM5508
44	Tirantino	Stirrup	Chaînette	0800004892
45	Puntale posteriore bacchetta	Rear ramrod tip	Embout postérieur baguette	0800004214
46	Farfallina	Fly	Papillon	0800002906
47	Copiglia ghiera anteriore	Front thimble pin	Goupille de busette antérieure	M70COP5368
48	Copiglia ghiera posteriore	Rear thimble pin	Goupille de busette postérieure	M70COP5369

* Fuori produzione da Maggio 2021
Out of production since May 2021
Hors de production depuis mai 2021