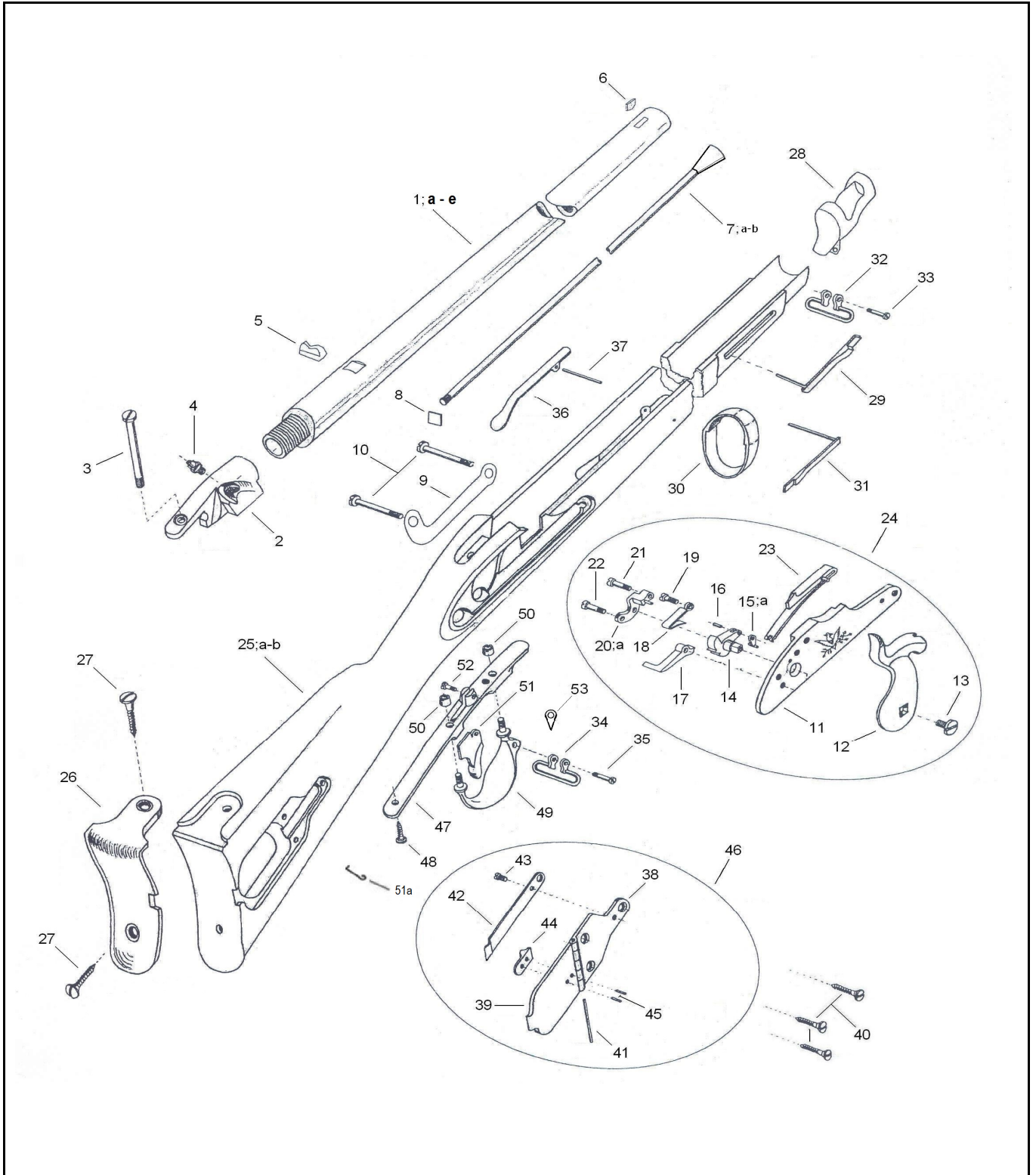


# Mississippi 1841 - 33"



Nomenclatura / List / Liste			Codice Reference	Codice Reference	
No.	Italiano	English	Référence	Référence	
1	Canna cal. .58	Barrel .58 cal.	Canon .58 cal.	0800008180	MS41
1a	Canna finita cal. .58	Barrel .58 cal. finished	Canon .58 cal. ouvragé	0800008180A	
1b	Canna completa cal. .58	Barrel with spares .58 cal.	Canon complet .58 cal.	0800008180B	
1c	Canna cal. .54	Barrel .54 cal.	Canon .54 cal.	0800008179	
1d	Canna finita cal. .54	Barrel .54 cal. finished	Canon .54 cal. ouvragé	0800008179A	
1e	Canna completa cal. .54	Barrel with spares .54 cal.	Canon complet .54 cal.	0800008179B	
2	Tappo canna	Breech plug	Bouchon de culasse	0800008183	ZR40
3	Vite codetta	Tang screw	Vis de queue de culasse	M70TFM5956	MS38
4	Luminello	Nipple	Cheminée	0800008184	7020
5	Tacca di mira	Rear sight	Cran de mire	0800008185	MS48
6	Mirino	Front sight	Guidon	- *	- *
7	Bacchetta cal. .54/.58	Ramrod .54 cal./ .58 cal.	Baguette .54 cal./ .58 cal.	0800008191	
7a	Puntale bacchetta cal. .54/.58	Ramrod ferrule .54 cal./ .58 cal.	Refouloir .54 cal./ .58 cal.	0800008194	MS34
7b	Bacchetta completa cal. .54/58	Ramrod .54 cal./ .58 cal.	Baguette .54 cal./ .58 cal.	0800008245	
8	Piastrina fermobacchetta	Ramrod holding plate	Platine arrête baguette	0800008006	ZR56=SP48
9	Fregio	Side plate	Contre-platine	0800008196	MS25
10	Vite cartella	Lock plate screw	Vis de platine	M70TFM6009	MS24
11	Cartella	Lock plate	Platine	0800008201	ZR01
12	Cane	Hammer	Chien	0800008202	ZR02
13	Vite cane	Hammer screw	Vis du chien	M70PFM5960	ZR02-01
14	Noce	Tumbler	Noix	0800008203	ZR09
15	Tirantino	Stirrup	Chaînette	0800008043	ZR10
15a	Copiglia molla cane	Mainspring pin	Goupille de grand ressort	M70COP5576	
16	Copiglia noce	Tumbler pin	Goupille du noix	M70COP5961	ZR50
17	Leva scatto	Sear	Gâchette	0800008205	ZR06
18	Molla leva scatto	Sear spring	Ressort de gâchette	0800008141	ZR05
19	Vite molla leva scatto	Sear spring screw	Vis du ressort de gâchette	M70PFM5962	ZR04
20	Braghetta	Bridle	Bride	0800008207	ZR08
20a	Spina riferimento braghetta	Bridle reference pin	Coupille de referance pour bride	M70COP5963	ZR-08-01
21	Vite braghetta	Bridle screw	Vis de bride	M70PFM5964	ZR03
22	Vite leva scatto	Sear screw	vis de gâchette	M70TFM5965	ZR07
23	Molla cane	Mainspring	Grand ressort	0800008208	ZR11
24	Acciarino completo	Complete lock	Platine complète	080S491000	MS54
25	Calcio	Stock	Monture	0800008210	MS20
25a	Calcio finito	Stock finished	Monture ouvragé	0800008210A	
25b	Calcio completo	Stock with spares	Monture complète	0800008210B	
26	Calciolo	Butt plate	Plaque de couche	0800008213	MS34/MS34A
27	Vite calciolo	Butt plate screw	Vis de plaque de couche	M70LFM5978	EN41=ZR35
28	Fascetta anteriore	Front band	Capucine antérieure	0800008216	MS15
29	Molla fascetta anteriore	Front band spring	Ressort capucine antérieure	0800008218	MS14
30	Fascetta posteriore	Rear band	Capucine	0800008220	MS19
31	Molla fascetta posteriore	Rear barrel band spring	Ressort capucine	0800008014	ZR18
32	Portacinghia posteriore	Rear swivel	Battant postérieur	0800008008	ZR17
33	Vite portacinghia posteriore	Rear swivel screw	Vis du battant postérieur	M70TFM5967	ZR16
34	Portacinghia anteriore	Front swivel	Battant antérieur	0800008008	ZR27
35	Vite portacinghia anteriore	Front swivel screw	Vis du battant antérieur	M70TFM5967	ZR28
36	Molla bacchetta	Ramrod spring	Ressort de baguette	0800003702	ZR22
37	Spina molla bacchetta	Ramrod spring pin	Coupille ressort de baguette	M70COP5968	ZR21
38	Coperchio fisso tabacchiera	Patch box fix lid	Couvercle fixe tabatière	0800008230	MS36-01
39	Coperchio mobile tabacchiera	Patch box movable lid	Couvercle mouvable tabatière	0800008231	MS36
40	Vite tabacchiera	Patch-box screw	Vis de la tabatière	M70LFC5392	ZR37
41	Perno cerniera tabacchiera	Patch box hinge pin	Goupille charnière tabatière	M70COP5970	MS36-05
42	Molla tabacchiera	Patch box spring	Ressort tabatière	0800008232	MS36-02
43	Vite molla tabacchiera	Patch box spring screw	Vis ressort tabatière	M70TFC5276	MS52
44	Arresto sportello tabacchiera	Patch box catch	Butée tabatière	0800008233	MS36-03
45	Vite fermo molla tabacchiera	Patch box catch screw	Vis boutée tabatière	M70TFC5276	MS36-04
46	Tabacchiera completa	Patch-box	Tabatière	08000G8230	MS36C
47	Sottoguardia	Trigger plate	Sous-garde	0800008240	MS30
48	Vite sottoguardia	Trigger plate screw	Vis du sous-garde	M70LFC5392	ZR31
49	Guardamano	Trigger guard	Pontet	0800008239	ZR29
50	Dado guardamano	Trigger guard nut	Ecrous de pontet	M70RON5975	ZR32
51	Grilletto	Trigger	Détente	0800008242	ZR26
51a	Molla grilletto	Trigger spring	Ressort de détente	0800003782	
52	Vite grilletto	Trigger screw	Vis détente	M70TFM5995	SP28
53	Rondella speciale	Lock plate	Rondelle	M70RON5309	

\* Mirino saldato sulla canna / Front sight welded to the barrel / Guidon soudé au canon